

K SERIES (SINGLE IMPELLER)

**McQUINN
PUMPS**

The K Series heavy duty centrifugal irrigation and water transfer pumps are ideal for pumping clear water and other non-aggressive liquids. With the option of single or twin impeller, the K Series range is suitable for several applications including domestic, civil, industrial and agricultural.

PUMP FEATURES:

Long life

- Pump body and motor constructed from anti-corrosive materials to provide the longest life possible
- Rotor mounted on oversized greased sealer for extending life of ball-bearings

OPERATING CONDITIONS:

System pressure

6 bar (600 kPa) for K20/41, K30/70 and K12/200

10 bar (1000 kPa) for K40/400 and K50/400

Liquid temperature

-10°C to 50°C for K20/41, K30/70 and K12/200

-15°C to 110°C for K40/400 and K50/400

Maximum ambient temperature

40°C



CONSTRUCTION:

Materials

- Cast iron pump body and motor support
- Carbon / ceramic mechanical seal mounted on stainless steel motor shaft
- Technopolymer or cast iron impeller
- Stainless steel driving shaft

Voltage

3 x 230-415 V, 50 Hz up to and including 4 kW 415 V D 50 Hz over 4 kW

Protection level

IP44

Insulation class

F

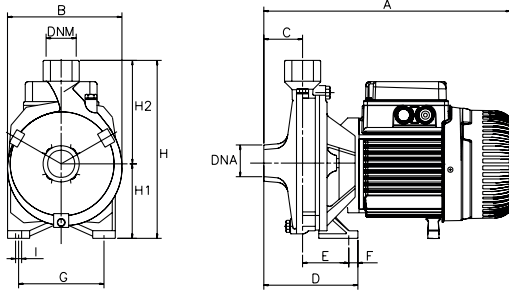
**McQUINN
PUMPS**

K SERIES (SINGLE IMPELLER)

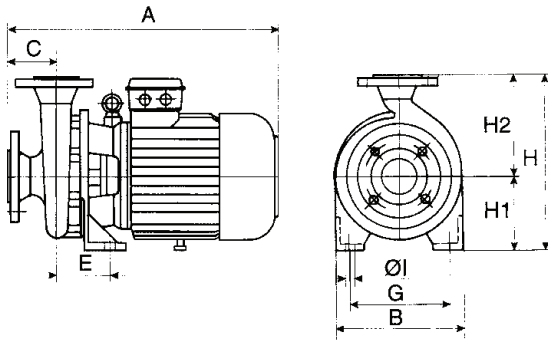


DIMENSIONS:

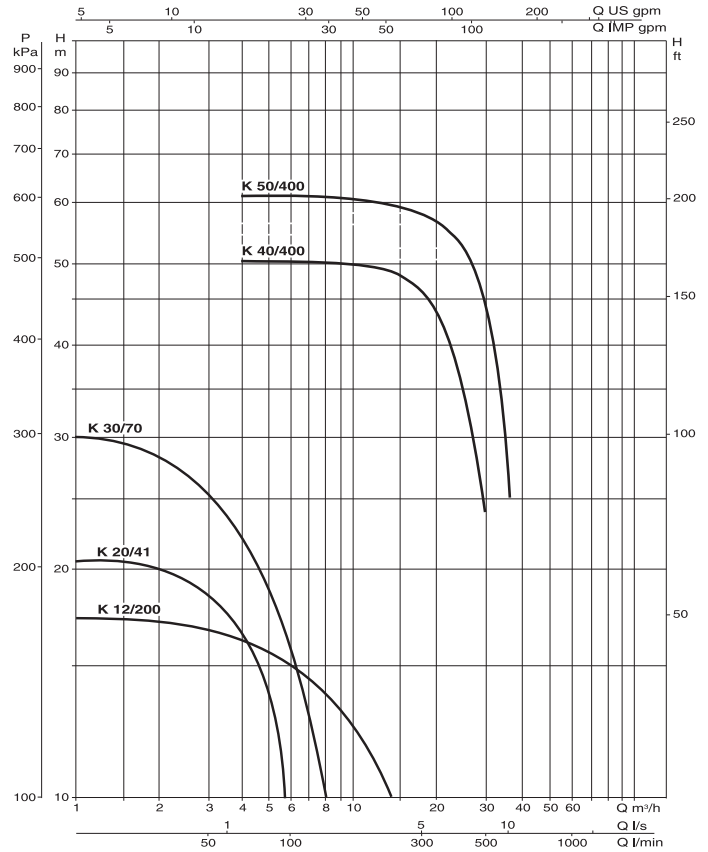
K20/41, K30/70 and K 12/200



K 40/400 & K 50/400



PERFORMANCE GRAPH:



TECHNICAL DATA:

Pump Model	P2 (kW)	3 ph In (A)	Connections		Weight (kg)	Dimensions										
			Inlet	Outlet		A	B	C	D	E	F	G	I	H	H1	H2
K20/41	0.37	3.0	1" F	1" F	10.0	300	160	50	100	50	15	110	9	205	85	120
K30/70	0.75	6.0	1" F	1" F	13.9	330	185	50	108	58	15	140	9	235	100	135
K12/200	0.75	4.6	1 1/2" F	1 1/2" F	30.0	335	169	45	114	69	15	110	9	210	85	125
K40/400	5.50	11.5	2 1/2" F	2" F	79.0	560	273	100	-	110	-	212	14	360	160	-
K50/400	12.75	20.5	2 1/2" F	2" F	87.0	560	273	100	-	110	-	212	14	360	160	-

