

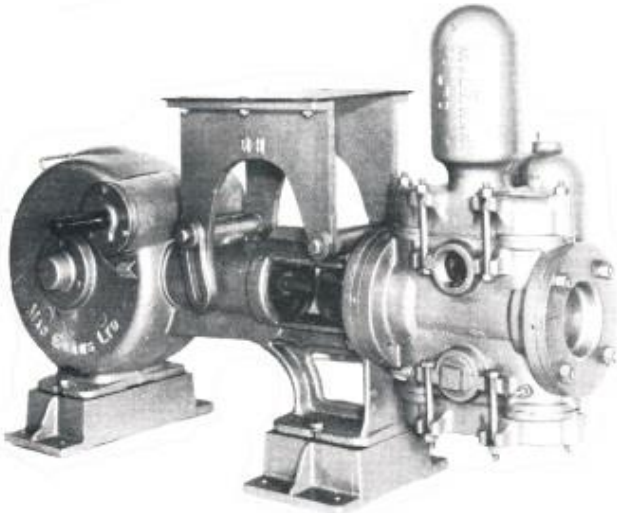


*MacEwans Machinery*  
LIMITED

**McQUINN  
PUMPS**

## reciprocating pumps H1, H2 and H3

**2,000 GPH  
600 FT HD**



### FEATURES

Heavy duty, rugged design • User proven for many years • Left or right hand portings and drive  
• Bench tested before despatch • Extra large bearing surfaces giving low rate of wear and long life  
• Large motor table • Easy access to valves and plunger for servicing • Range of standard and extra high pressure duties available • Efficient • Large gland • Low speed for quiet, reliable operation  
• Straight forward servicing with spare parts readily available • Hot or cold water versions • Backed by MacEwans service and experience.

### APPLICATIONS

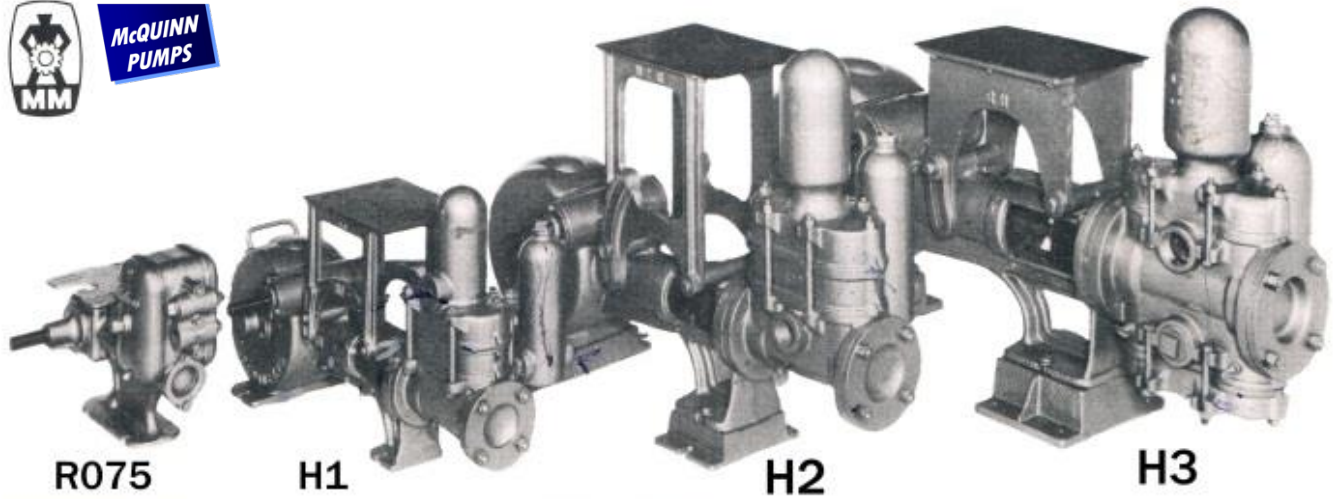
General water pumping duties for farm reticulation, institutions and industry.

1  
Issue 2

**McQUINN  
PUMPS**



**McQUINN  
PUMPS**



**R075**

**H1**

**H2**

**H3**

The MacEwans range of reciprocating pumps includes the R075, H1, H2 and H3 Models. See separate leaflet on R075 pumps.

### SPECIFICATION

All materials used in MacEwans pumps are carefully selected and maintained to the highest standards. Refer to parts listing for details of individual components.

### PRESSURE SETS

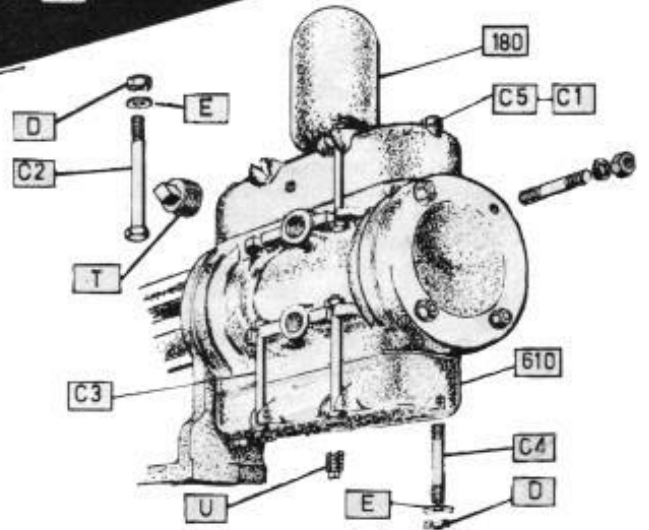
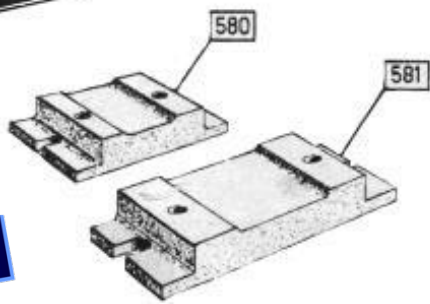
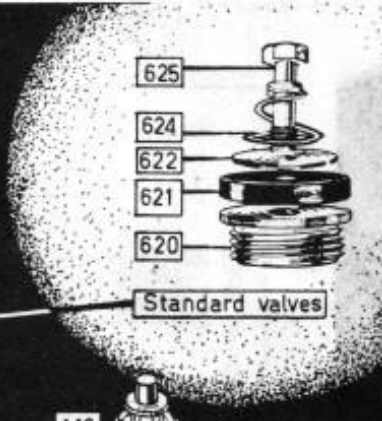
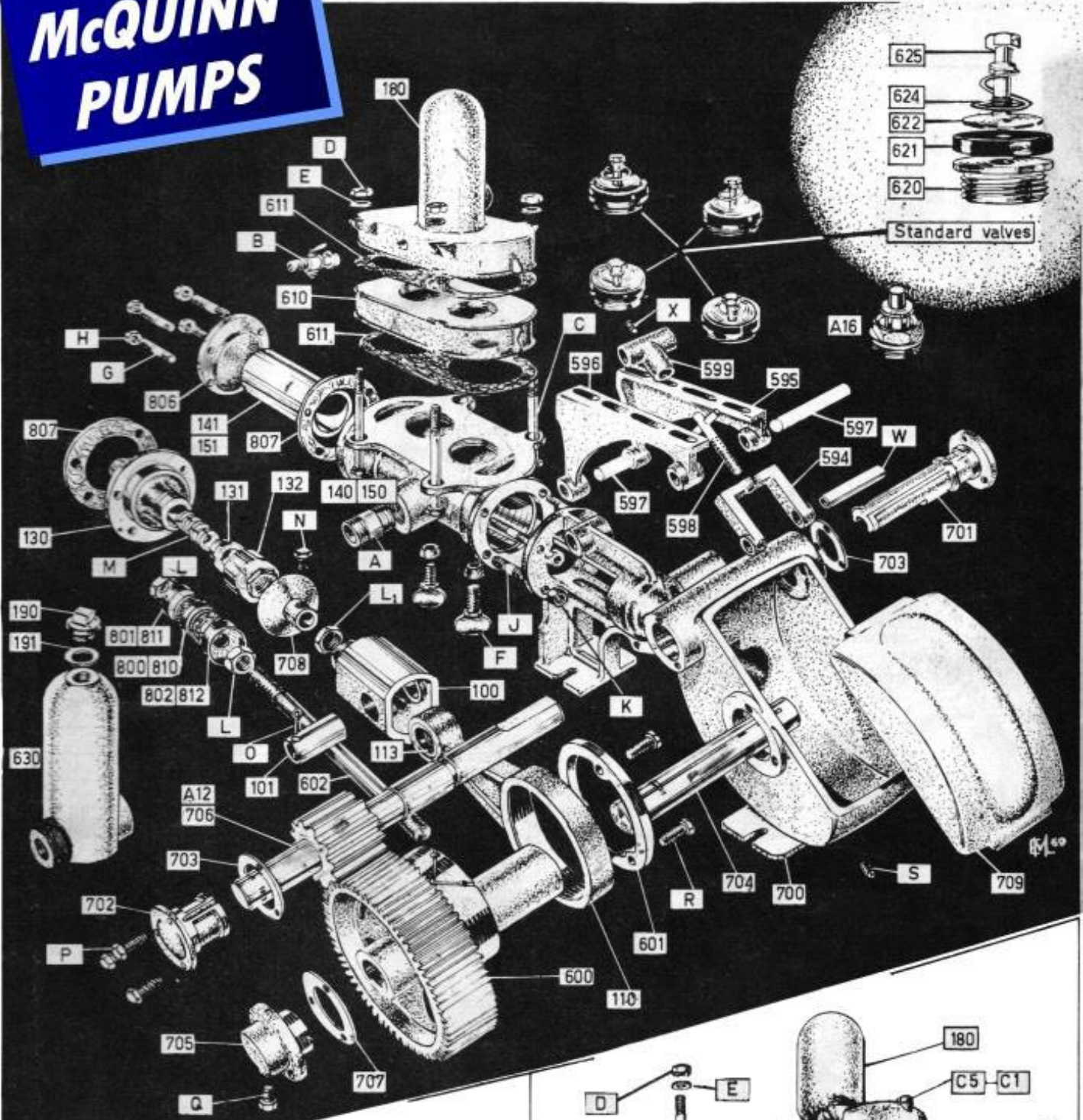
MacEwans can supply complete pressure units suitable for all types of application. High quality pressure tanks are available in a range of sizes and can be supplied as built up units complete with pressure switch and all necessary fittings. MacEwans stock all necessary motors and drives for your reciprocating pump.

## H1, H2 & H3 PARTS LIST

WHEN ORDERING SPARE PARTS, IT IS MOST IMPORTANT THAT THE PART No. IS PREFIXED BY THE APPROPRIATE MODEL No.

PART No	DESCRIPTION	No. PER PUMP			No. PER PUMP			PART No	DESCRIPTION	No. PER PUMP			No. PER PUMP		
		H1	H2	H3	H1	H2	H3			H1	H2	H3	H1	H2	H3
A12	ASSEMBLY, drive shaft and pinion, Steel		1	1		1	1	598	Adjuster, M.S.	1			1		
A16	ASSEMBLY, high pressure valve, G.M.	4	4	4				599	Knuckle, C.I.	1			1		
100	Cross head, C.I.	1	1	1	1	1	1	600	Gear wheel, driven, C.I.	1	1	1	1	1	1
101	Gudgeon pin, Steel	1	1	1	1	1	1	601	Keeper ring, C.I.	1	1	1	1	1	1
110	Connecting rod, C.I.	1	1	1	1	1	1	602	Plunger rod, S.S.	1	1	1	1	1	1
113	Bush, connecting rod, G.M.	1	1	1	1	1	1	610	Valve chamber, C.I.	1	1	1	1	1	1
130	Stuffing box, C.I.	1	1	1	1	1	1	611	Gasket, top and valve chamber	2	2	2	2	2	2
131	Gland, stuffing box, G.M.	1	1	1	1	1	1	620	Valve seat, G.M.				4	4	4
132	Nut, gland, G.M. or C.I.	1	1	1	1	1	1	621	Valve washer, Rubber				4	4	4
*133	Spanner, gland nut, C.I.	1			1			622	Valve plate,				4	4	4
140	Cylinder, high pressure, C.I.	1	1	1				624	Valve spring, Ph. B.				4	4	4
141	Liner, cylinder high pressure, Brass	1	1	1				625	Valve post, Brass				4	4	4
150	Cylinder, standard, C.I.				1	1	1	630	Vacuum chamber, C.I.	1	1	1	1	1	1
151	Liner, cylinder standard, Brass				1	1	1	700	Gear case, C.I.	1	1	1	1	1	1
180	Cylinder top, C.I.	1	1	1	1	1	1	701	Bearing, drive shaft - long, C.I.	1	1	1	1	1	1
190	Plug, vacuum chamber, G.M.	1	1	1	1	1	1	702	Bearing, drive shaft - short, C.I.	1	1	1	1	1	1
191	Washer, plug	1	1	1	1	1	1	703	Gasket, drive shaft bearing	2	2	2	2	2	2
594	Saddle, C.I.	1			1			704	Spindle gearwheel, Steel	1	1	1	1	1	1
595	Slide rail L.H., C.I.	1			1			705	Cap, gearwheel spindle, C.I.	2	2	2	2	2	2
596	Slide rail R.H., C.I.	1			1			706	Drive shaft and pinion, Steel	1			1		
597	Rails, M.S.	2			2			707	Gasket, bearing caps	2	2	2	2	2	2
								708	Baffle plate, G.M.	1	1	1	1	1	1
								709	Cover, gearcase, C.I.	1	1	1	1	1	1

# McQUINN PUMPS



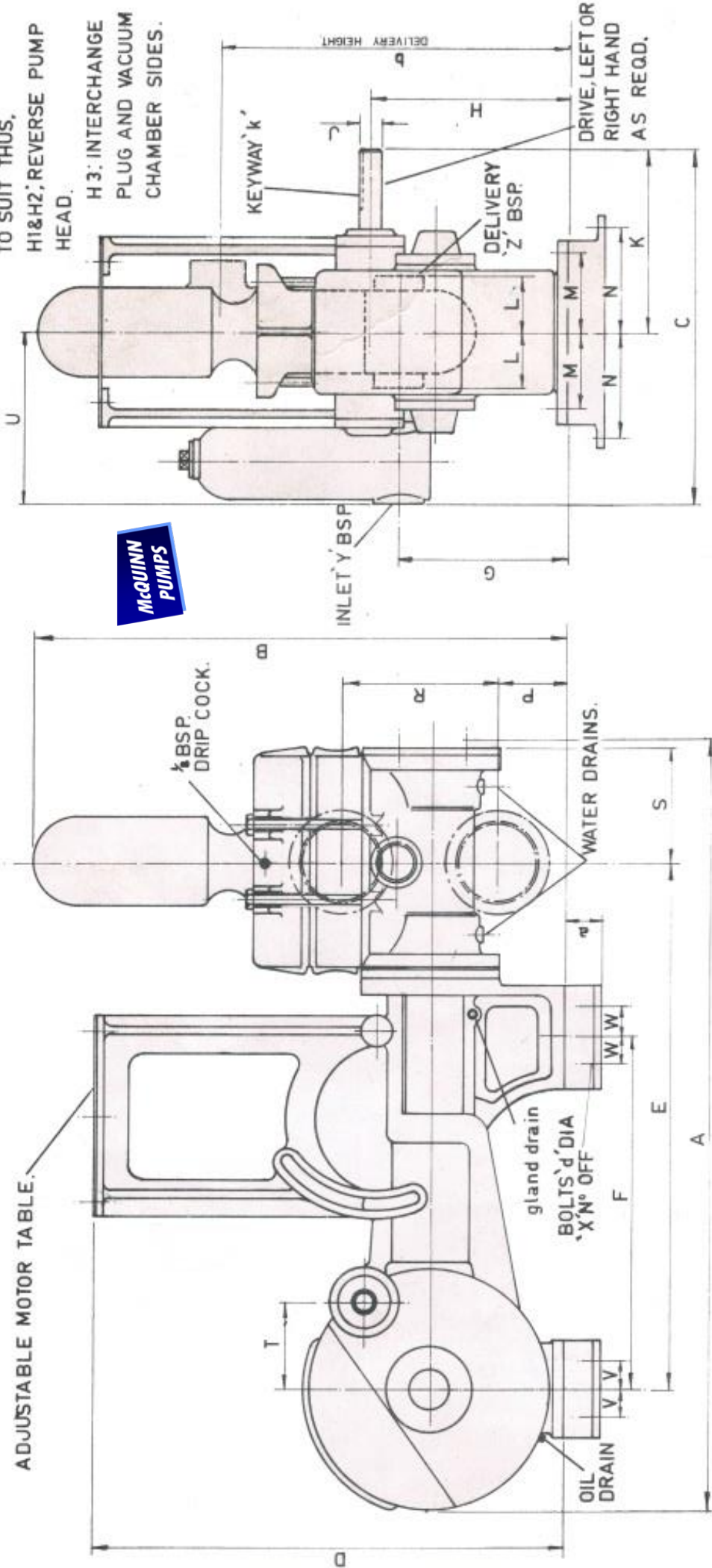
McQUINN PUMPS

McQUINN PUMPS



NB. PUMPS MAY BE HANDED TO SUIT THIS, H1&H2; REVERSE PUMP HEAD.

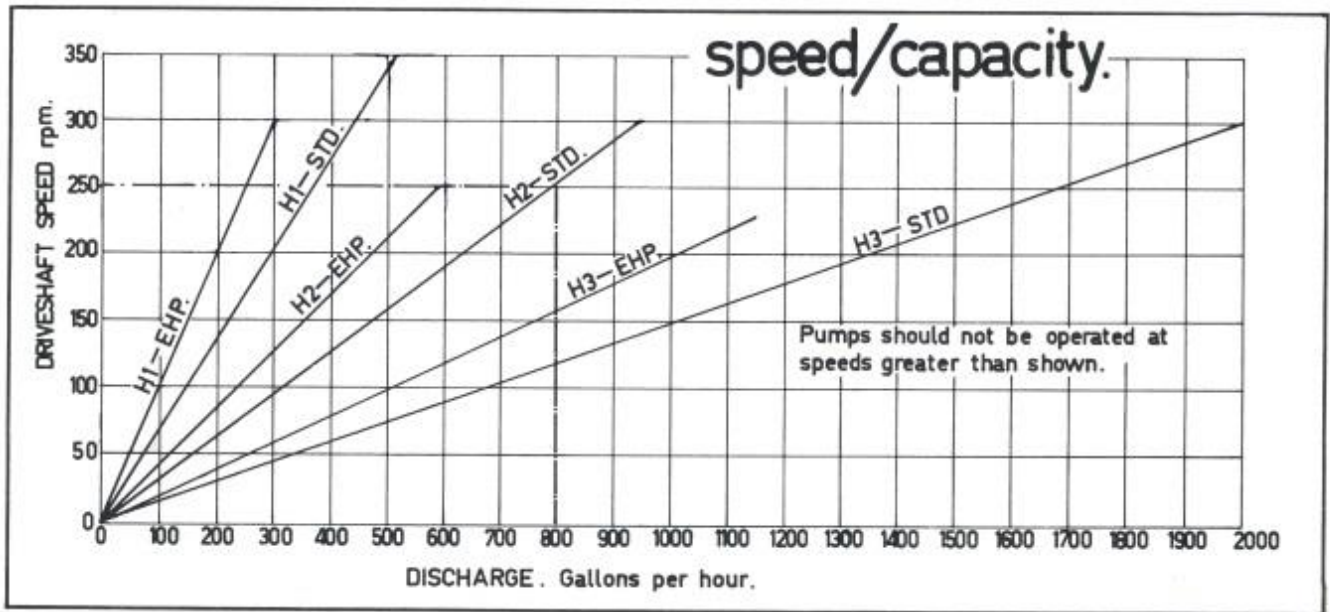
H3: INTERCHANGE PLUG AND VACUUM CHAMBER SIDES.



MODEL	A	B	C	D	E	F	G	H	J	K	L	M	N	P	R	S	T	U	V	W	X	Y	Z	a	b	c	k
H1	34 1/2	20 3/16	15 7/8	16 1/2	22 15/16	16	7	8 1/2	1	7 3/8	2 1/2	3 3/8	1 3/4	—	—	5	3982	8 1/2	—	1/8	4	1 1/4	1 1/4	—	13 3/8	—	—
H2	41	28	18	25 3/8	27 3/32	19	8 1/2	10 1/8	1 1/8	9	3 1/2	4 3/8	2 1/2	3 3/4	—	7	4825	9	—	1/2	4	1 1/2	1 1/2	2	8 1/2	—	5/16 x 3/32 (2)
H3	50 1/2	28 1/4	22 5/8	22	34 1/2	23	5 1/2	13 11/16	1 1/8	11	3 1/2	4 1/2	3	5	6 1/2	8	6414	11 1/8	2 1/4	3	1/2	8	2	3 1/2	12	—	5/16 x 3/32 (2)

ALL DIMENSIONS ARE IN INCHES.

THE COMPANY RESERVES THE RIGHT TO ALTER DIMENSIONS WITHOUT NOTICE



**HORSEPOWER**  
Table gives the actual horsepower required for a 4 pole motor with standard belt drive operating a pump at it's maximum rated speed.

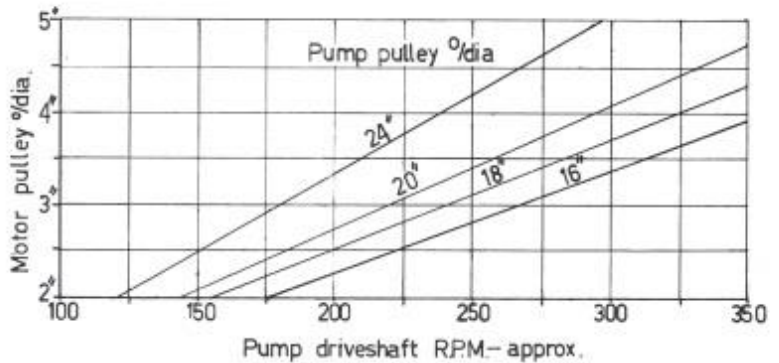
MAXIMUM HEAD	PUMP MODEL					
	H1STD	H2STD	H3STD	H1EHP	H2EHP	H3EHP
50 FEET	½	1	1½	—	—	—
100 FEET	¾	1½	2	—	—	—
150 FEET	¾	2	3	—	—	—
200 FEET	1	2	3	—	—	—
250 FEET	1	3	5	—	—	—
300 FEET	1½	3	5	—	—	—
350 FEET	—	—	—	1	2	5
400 FEET	—	—	—	1	2	5
450 FEET	—	—	—	1½	3	5
500 FEET	—	—	—	1½	3	5
550 FEET	—	—	—	1½	—	—
600 FEET	—	—	—	1½	—	—

**BORE AND STROKE**

MODEL	BORE	STROKE
H1STD	2½"	3"
H1EHP	2½"	3"
H2STD	3½"	4"
H2EHP	3"	4"
H3STD	4½"	5"
H3EHP	4"	5"

**DRIVE**

The driveshaft speed is reduced by 5:1 gears in the pump crankcase. Reduction between motor and pump is normally obtained by a standard belt arrangement. The following graph is for 4 pole (1420 RPM) motors and V drives. Using flat pulleys on the pump driveshaft will reduce speed shown slightly.



**MacEwans Machinery LIMITED**

Head Office: BOX 3048 WELLINGTON N.Z.

