

The Active Euroinox is a self-priming centrifugal multistage pump with integrated control device, the Active System. Suitable for pumping clear water and other non-aggressive liquids, the Active Euroinox is quiet, efficient and ideal for domestic or small irrigation applications.

FEATURES:

Efficient

- Quiet and efficient in operation while delivering high pressure and flows

Self-Priming

- Ideal for transferring water from above or below ground tanks

User Friendly interface

- Customise pump settings and display operating status

Protective function

- Overpressure protection
- Leak identification
- Dry run protection to stop pump damage if no water is present
- Automatically resets operation when normal conditions return

Easy Installation

- Built-in check-valve, pressure gauge and adjustable cut in pressure to enable the installer to customise for greater comfort

Adaptability

- Ability to connect two pumps in parallel for variable flows in a duty standby configuration.

OPERATING CONDITIONS:

System pressure

Max. 8 bar (800kPa)

Liquid temperature

0°C to +35°C

Maximum ambient temperature

+40°C

ACTIVE EUROINOX 30/30 M   

ACTIVE EUROINOX 40/50 M & 30/50 M    

ACTIVE EUROINOX 40/80 M     



CONSTRUCTION:

Materials

- Stainless steel pump body
- Cast iron motor support
- Technopolymer impeller and diffuser

Voltage

1 x 230 V, 50 Hz

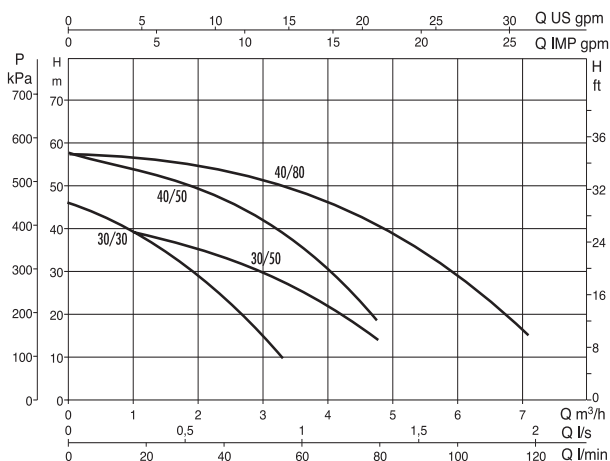
Protection level

IP44

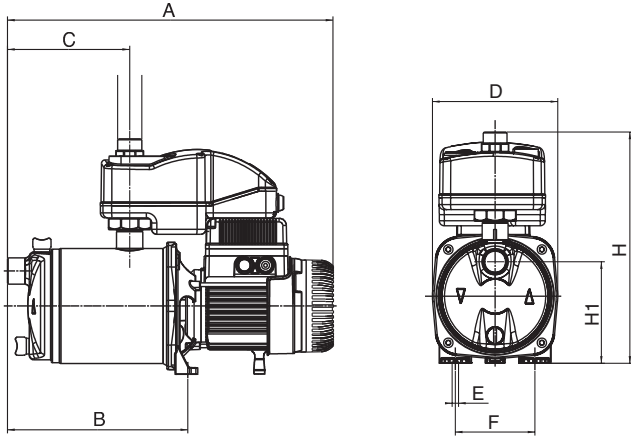
Insulation class

F

PERFORMANCE GRAPH:



DIMENSIONS:



PERFORMANCE CHART:

Pump Model	Discharge Pressure (kPa/psi)	Suction Lift (metres)			
		0	3	5	6
		Output (l/min)			
ACTIVE EUROINOX 30/30 M	150/22	50	45	42	39
ACTIVE EUROINOX 30/50 M	150/22	80	74	71	68
ACTIVE EUROINOX 40/50 M	150/22	80	74	71	68
ACTIVE EUROINOX 40/80 M	150/22	120	96	88	84

TECHNICAL DATA:

Pump Model	P2 (kW)	1 ph In (A)	Water Temp (°C)	Connections		Weight (kg)	Dimensions (mm)								LIST Price (incl. GST)
				Inlet	Outlet		A	B	C	D	E	F	H	H1	
ACTIVE EUROINOX 30/30 M	0.45	3.2	0/40	1" F	1" M	13.5	445	247	167	174	9	111	322	141	\$684.00
ACTIVE EUROINOX 30/50 M	0.55	3.9	0/40	1" F	1" M	10.0	390	192	112	174	9	111	322	141	\$753.00
ACTIVE EUROINOX 40/50 M	0.80	5.3	0/40	1" F	1" M	15.5	445	247	167	174	9	111	322	141	\$857.00
ACTIVE EUROINOX 40/80 M	1.00	6.3	0/40	1" F	1" M	16.0	445	247	167	174	9	111	322	141	\$1,305.00