

The AD Euroinox is a self-priming centrifugal multistage pump coupled directly to an integrated variable speed control device, the Active Driver. The Active Driver matches the pump output to the demand, using less energy under low flows, offering **greater comfort and reduced operation costs**. The feature packed pressure system is perfect for large domestic or small commercial applications where variable duties are required.

FEATURES:

User Friendly interface

- Customise pump settings and display operating status

Protective functions

- Over voltage/under voltage protection
- Over current protection (locked rotor)
- Dry run protection to stop pump damage if no water is present
- Automatically resets operation when normal conditions return

Increased Comfort

- Delivers constant pressure for increased comfort and reduced operating costs.

Adaptability

- Ability to connect two pumps in parallel for variable flows in a duty standby configuration

OPERATING CONDITIONS:

System pressure

Max. 8 Bar (800kPa)

Liquid temperature

0°C to +35°C for domestic use

0°C to +40°C

Maximum ambient temperature

+40°C

AD EUROINOX 30/50 M 🏠🏠🏠🏠🏠

AD EUROINOX 40/80 M 🏠🏠🏠🏠🏠🏠🏠

**FEATURE
PACKED**

**2
YEAR
WARRANTY**



CONSTRUCTION:

Materials

- Stainless steel pump body
- Motor support in cast iron
- Technopolymer impeller and diffuser

Voltage

Input/output: 1 x 230 V, 50 Hz

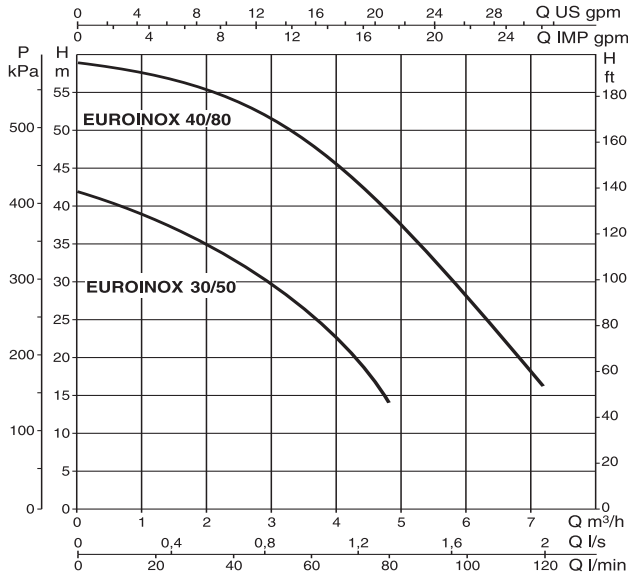
Protection level

IP44 (IP55 terminal board protection)

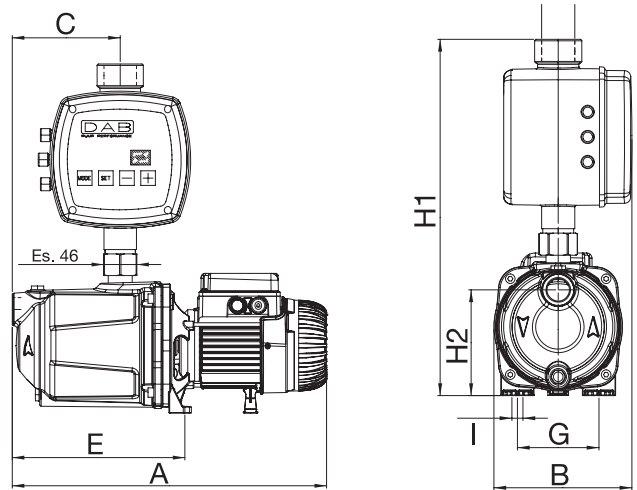
Insulation class

F

PERFORMANCE GRAPH:



DIMENSIONS:



TECHNICAL DATA:

| Pump Model | P2 (kW) | 1 ph In (A) | Water Temp (°C) | Connections | | Weight (kg) | Dimensions (mm) | | | | | | | | LIST Price (incl. GST) |
|---------------------|---------|-------------|-----------------|-------------|--------|-------------|-----------------|-----|-----|-----|-----|---|-----|-----|------------------------|
| | | | | Inlet | Outlet | | A | B | C | E | G | I | H1 | H2 | |
| AD EUROINOX 30/50 M | 0.55 | 3.9 | 0/40 | 1" F | 1" F | 14.4 | 384 | 187 | 108 | 186 | 111 | 9 | 503 | 144 | \$1,581.00 |
| AD EUROINOX 40/80 M | 1.00 | 6.3 | 0/40 | 1" F | 1" F | 17.4 | 458 | 187 | 166 | 241 | 111 | 9 | 503 | 144 | \$1,898.00 |

ENERGY SAVINGS:

| Test: 1 kW pump and head set at 30 mH2O | | | | | |
|---|--------------------|--|----------------------------------|-----------------------|---|
| flow (l/min) | Statistic flow use | Energy used with traditional system (kW) | Energy used with PWM system (kW) | Power difference (kW) | Energy saved in 1 year (8760 hours) (KWh) |
| 5 | 20% | 0.855 | 0.122 | 0.733 | 1.284 |
| 10 | 40% | 0.916 | 0.366 | 0.549 | 1.925 |
| 20 | 20% | 0.977 | 0.488 | 0.488 | 856 |
| 40 | 9% | 1.038 | 0.733 | 0.305 | 241 |
| 70 | 6% | 1.184 | 1.036 | 0.148 | 78 |
| 100 | 5% | 1.221 | 1.221 | 0.000 | 0 |
| Total Yearly Saving (KWh) | | | | | 4.383 |

Note: The AD Euroinox is supplied with a separate 2 litre pressure tank and 3 way tee to be fitted into the discharge pipe.